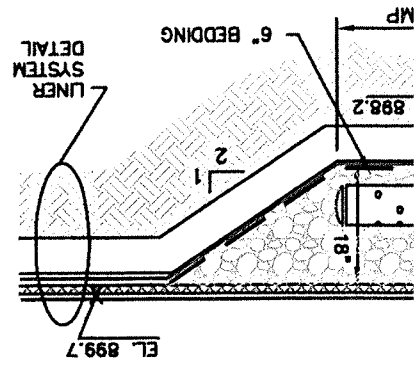
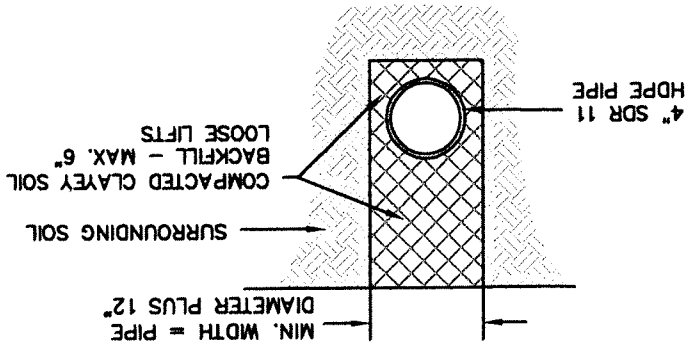


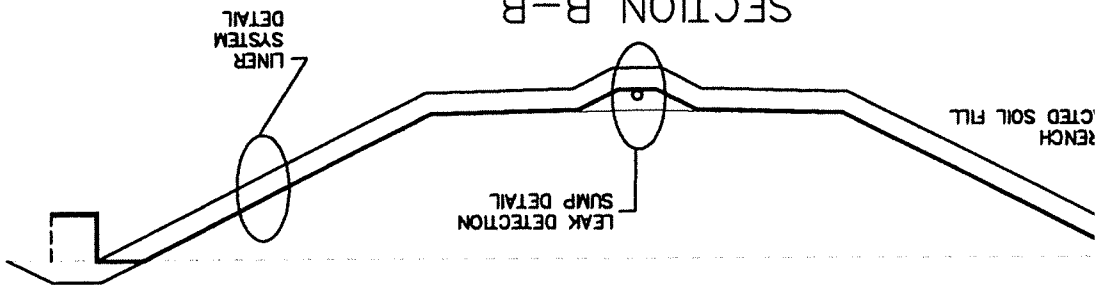
FIGURE 3
IMPOUNDMENT LAYOUT AND DETAILS
NILES INJECTION SITE

AMERICAN WATER MANAGEMENT SERVICES, LLC

SUMP OUTLET PIPE TRENCH DETAIL
NOT TO SCALE



SECTION B-B
NOT TO SCALE



SECTION A-A
NOT TO SCALE

